



Producer: **ECO Modine**  
 Line: **IDE**  
 Model: **IDE 42B07**  
 Cooling capacity [kW]: **17.80**  
 Air flow [m<sup>3</sup>/h]: **8,540.00**  
 Fin spacing [mm]: **7.0**  
 Air throw [m]: **12.0**  
 Fans [n° x ømm]: **2 x 450**

## Data

### Evaporator technical data

Air flow - high speed	[m <sup>3</sup> /h]	8,540
Air flow - low speed	[m <sup>3</sup> /h]	7,440
Air throw - high speed	[m]	12.0
Air throw - low speed	[m]	9.0
Surface internal	[m <sup>2</sup> ]	13.70
Surface external	[m <sup>2</sup> ]	75.00
Inner volume	[dm <sup>3</sup> ]	26.4
Fin spacing	[mm]	7.0
Net weight	[kg]	145.00

### Fans technical data

Fan quantity		2
Fan diameter	[mm]	450
Fans power - high speed	[W]	860
Fans power - low speed	[W]	660
Fan current - high speed	[A]	1.58
Fan current - low speed	[A]	1.06
Fans power (EC) - high speed	[W]	690
Fans power (EC) - low speed	[W]	340
Fan current (EC) - high speed	[A]	4.40
Fan current (EC) - low speed	[A]	2.80
Fan power supply		400V/3Ph/50Hz

### Defrost

Electric defrost power	[W]	10,200
------------------------	-----	--------

### Connections

Coil connection (inlet)	[mm]	22
Coil connection (outlet)	[mm]	42
Drain connection quantity		2
Drain connection diameter	[inch]	1

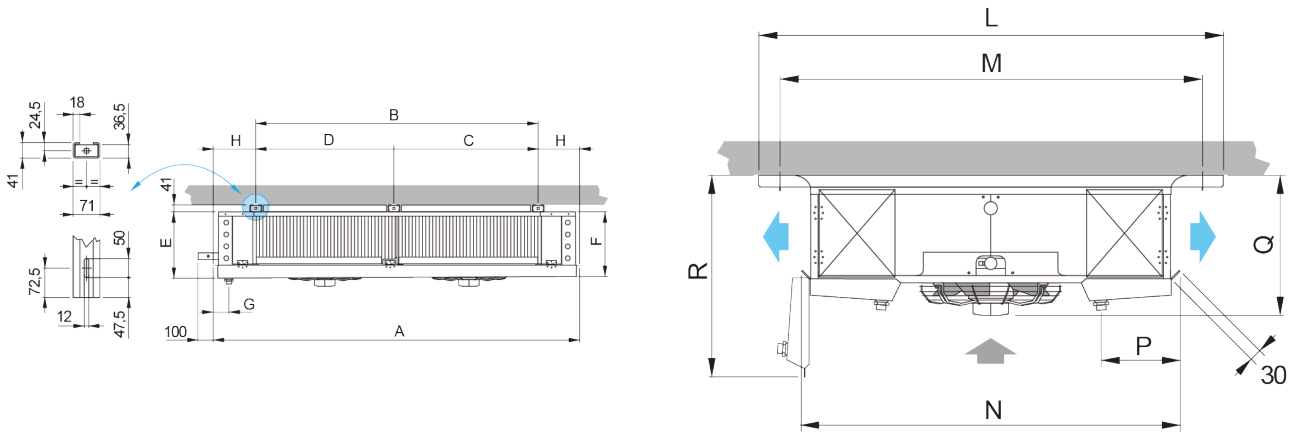
## Performance

Nominal conditions: refrigerant: R404A, evaporation: -8°C (dew point), inlet air temperature: 0°C, humidity: 85%

### Cooling capacity

		Air inlet temperature [°C]											
		<b>-35</b>	<b>-30</b>	<b>-25</b>	<b>-20</b>	<b>-15</b>	<b>-10</b>	<b>-5</b>	<b>0</b>	<b>2</b>	<b>5</b>	<b>10</b>	<b>12</b>
Temperature difference [K]	<b>4</b>	7.74	7.74	7.82	8.04	8.25	8.47	8.68	8.90	9.52	10.45	10.45	10.45
	<b>5</b>	9.67	9.67	9.78	10.05	10.30	10.60	10.85	11.10	11.90	13.05	13.05	13.05
	<b>6</b>	11.60	11.60	11.75	12.05	12.40	12.70	13.00	13.35	14.25	15.65	15.65	15.65
	<b>7</b>	13.55	13.55	13.70	14.05	14.45	14.80	15.20	15.55	16.65	18.30	18.30	18.30
	<b>8</b>	15.45	15.45	15.65	16.10	16.50	16.95	17.35	<b>17.80</b>	19.05	20.90	20.90	20.90
	<b>9</b>	17.40	17.40	17.60	18.10	18.55	19.05	19.55	20.00	21.40	23.50	23.50	23.50
	<b>10</b>	19.35	19.35	19.55	20.10	20.60	21.20	21.70	22.20	23.80	26.10	26.10	26.10

## Dimensions



Length	[mm]	2,150
Width	[mm]	1,594
Height	[mm]	490
Dimension A	[mm]	2150
Dimension B	[mm]	1664
Dimension E	[mm]	410
Dimension F	[mm]	400
Dimension G	[mm]	85
Dimension H	[mm]	243
Dimension L	[mm]	1594
Dimension M	[mm]	1449
Dimension N	[mm]	1290
Dimension P	[mm]	280
Dimension Q	[mm]	490
Dimension R	[mm]	695